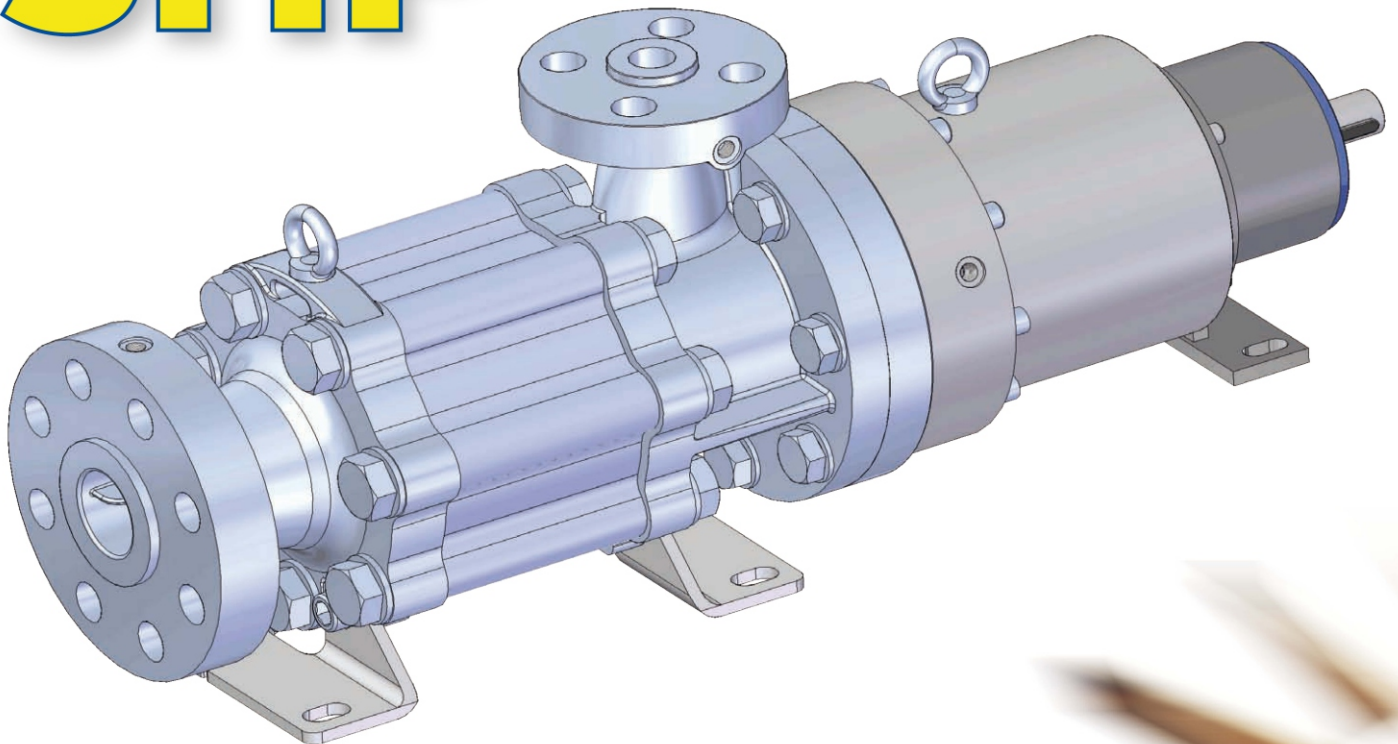


High Pressure Side Channel Pump according to API 610/API 685

SHP

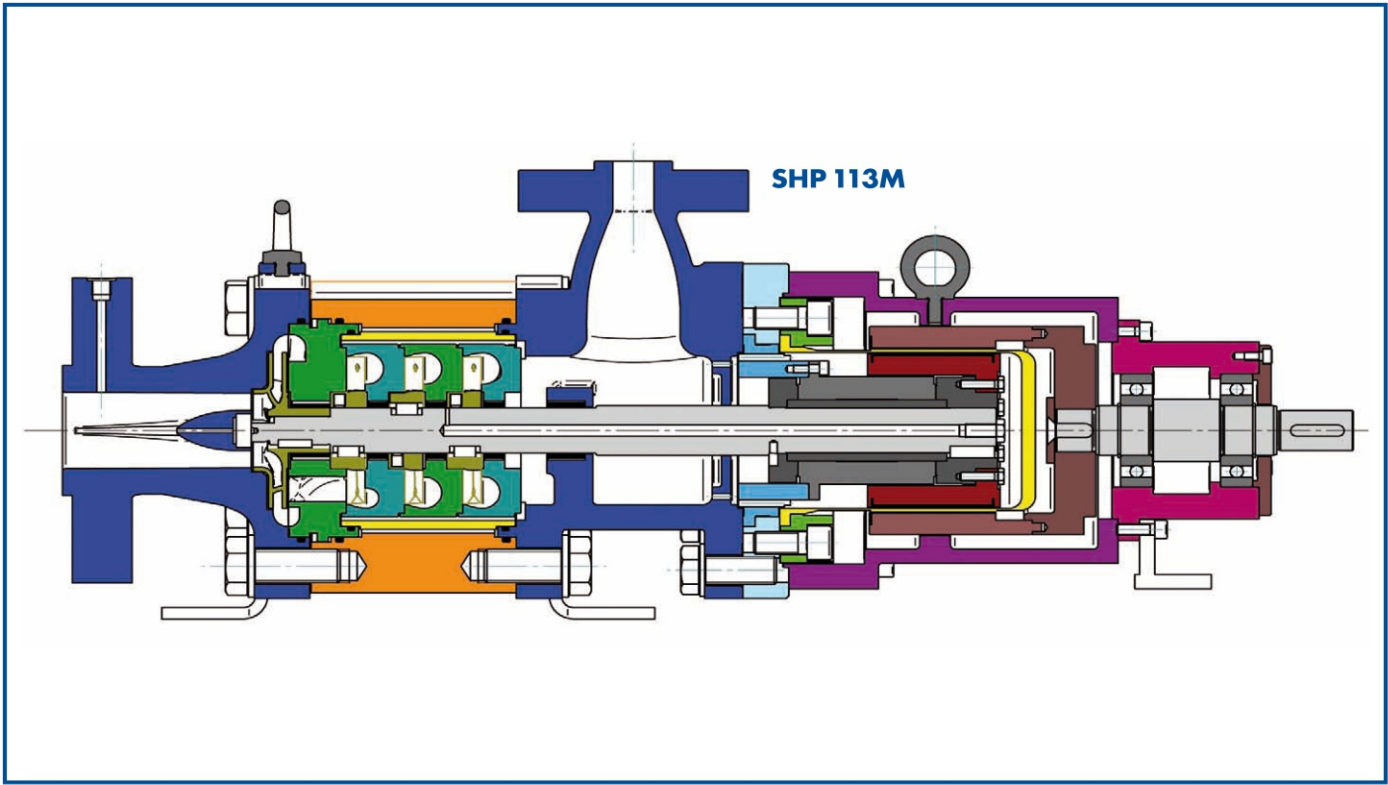


Technical Description

11104 W. Airport #220
Stafford, Tx. 77477
Phone: 281-407-0799
www.m4equipment.com



Sectional View



Material Specification

Material classes (acc. to API 610)	S-5	S-6	S-8	C-6	A-8
Pressure casings:	A216 Grade WCB	A216 Grade WCB	A216 Grade WCB	A487 Gr CA6NM	A351 Gr CF3M
Inner (stage) casings:	A216 Grade WCB	A743 Gr CA6NM	A743 Gr CF3M	A743 Gr CA6NM	A743 Gr CF3M
Impellers:	A743 Gr CA6NM	A743 Gr CA6NM	A743 Gr CF3M	A743 Gr CA6NM	A743 Gr CF3M
Shaft:	AISI 4140	A276 Gr 420	A479 Gr 316L	A276 Gr 420	A479 Gr 316L
Pressure sleeve (inner barrel):	EN 10220 – Mat.No. 1.0580	EN 10220 – Mat.No. 1.0580	EN 10220 – Mat.No. 1.4571	EN 10220 – Mat.No. 1.4571	EN 10220 – Mat.No. 1.4571
Jacket housing (outer barrel):	A216 Grade WCB	A216 Grade WCB	A216 Grade WCB	A216 Grade WCB	A216 Grade WCB
Bearing bracket and Lantern:	A216 Grade WCB	A216 Grade WCB	A216 Grade WCB	A216 Grade WCB	A216 Grade WCB

02.01.05/12.E.G